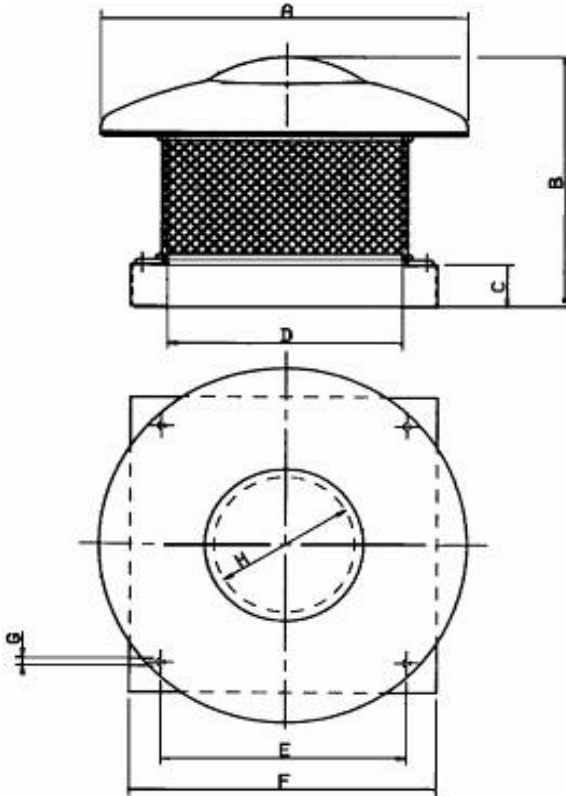


TORRINI DI ESTRAZIONE



TIPO	A mm	B mm	C mm	D mm	E mm	F mm	G mm	H mm
TR 10	505	435	50	280	300	350	9	166
TR 20	645	465	50	370	340	400	9	
TR 30	840	540	50	450	404	500	9	218
TR 40		550	50	480	460	560	9	266
TR 50	1025	635	50	533	530	630	9	283
TR 60		670	50	611	610	710	9	323
TR 70	1190	650	50	685	700	800	9	368
TR 80		825	50	750	800	900	9	403
TR 90		870	50				9	456

TIPO	POTENZA		
	kW	POLI	GRANDEZZA
TR 10	0,09	6	63A6
TR 10	0,18	4	63B4
TR 20	0,12	6	63B6
TR 20	0,18	4	63B4
TR 30	0,18	6	71A6
TR 30	0,25	4	71A4
TR 40	0,18	6	71A6
TR 40	0,55	4	80A4
TR 50	0,25	6	71B6
TR 50	0,75	4	80B4
TR 60	0,37	6	80A6
TR 60	1,50	4	90L4
TR 70	0,75	6	90S6
TR 80	1,50	6	100A6
TR 90	2,20	6	112A6

CARATTERISTICHE TECNICHE

TIPO	POTENZA			MOTORE	PREVALENZA TOTALE mm H ₂ O							
	kW	Giri	dB(A)		5	10	15	20	30	40	50	60
TR 10	0,09	900	50	63A6	1.050	600	---	---	---	---	---	---
	0,12	1.400	57	63A4	1.520	1.140	1.050	760	---	---	---	---
TR 20	0,12	900	52	63A6	1.520	665	---	---	---	---	---	---
	0,18	1.400	64	63B4	2.280	1.710	1.520	1.330	1.050	---	---	---
TR 30	0,18	900	59	71A6	2.185	1.330	1.045	---	---	---	---	---
	0,25	1.400	69	71A4	3.230	2.260	2.470	2.280	1.805	1.615	---	---
TR 40	0,18	900	60	71A6	3.315	2.090	1.710	1.425	---	---	---	---
	0,55	1.400	72	80A4	4.750	4.085	3.800	3.515	2.950	2.375	2.190	---
TR 50	0,25	900	65	71B6	4.465	3.230	2.660	2.190	1.900	---	---	---
	0,75	1.400	75	80B4	7.200	6.200	5.700	5.250	4.650	4.100	3.650	2.900
TR 60	0,18	700	60	71B8	4.600	2.900	2.000	---	---	---	---	---
	0,35	900	68	80A6	4.750	5.300	4.350	3.850	2.900	---	---	---
	1,5	1.400	78	90L4	10.600	9.200	8.200	7.700	7.200	6.250	5.800	4.850
TR 70	0,35	700	61	90S8	6.300	4.400	3.600	2.800	---	---	---	---
	0,75	900	91	90S6	9.500	7.700	6.800	6.000	4.800	3.900	---	---
TR 80	0,55	700	65	90L8	9.200	6.300	5.300	4.800	3.300	---	---	---
	1,5	900	72	100L6	13.500	11.100	10.100	9.200	7.700	6.300	5.300	---
TR 90	1,1	700	68	90LB8	13.000	9.200	9.200	7.200	5.800	4.800	---	---
	2,2	900	75	112M6	18.900	16.000	14.600	13.600	12.200	10.700	9.300	7.800

PORTATA MC/H